



#8  
CC  
12 DEC 03

IN THE UNITED STATES PATENT AND TRADEMARK OFFICE

Applicant : William R. Wheeler et al.      Art Unit : 2123  
Serial No. : 09/994,574      Examiner : Unknown  
Filed : November 26, 2001  
Title : UNIFIED DESIGN PARAMETER DEPENDENCY MANAGEMENT METHOD  
AND APPARATUS

RECEIVED

**Attention: Official Draftsman**  
Commissioner for Patents  
P.O. Box 1450  
Alexandria, VA 22313-1450

SEP 22 2003  
Technology Center 2100

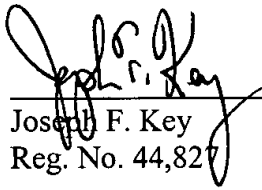
TRANSMITTAL OF FORMAL DRAWINGS

Please substitute the enclosed four (4) sheets of formal drawings for the corresponding drawings presently in the application.

Please apply any charges or credits to Deposit Account No. 06-1050.

Respectfully submitted,

Date: 9/12/2003

  
\_\_\_\_\_  
Joseph F. Key  
Reg. No. 44,827

Fish & Richardson P.C.  
1425 K Street, N.W.  
11th Floor  
Washington, DC 20005-3500  
Telephone: (202) 783-5070  
Facsimile: (202) 783-2331



1/4

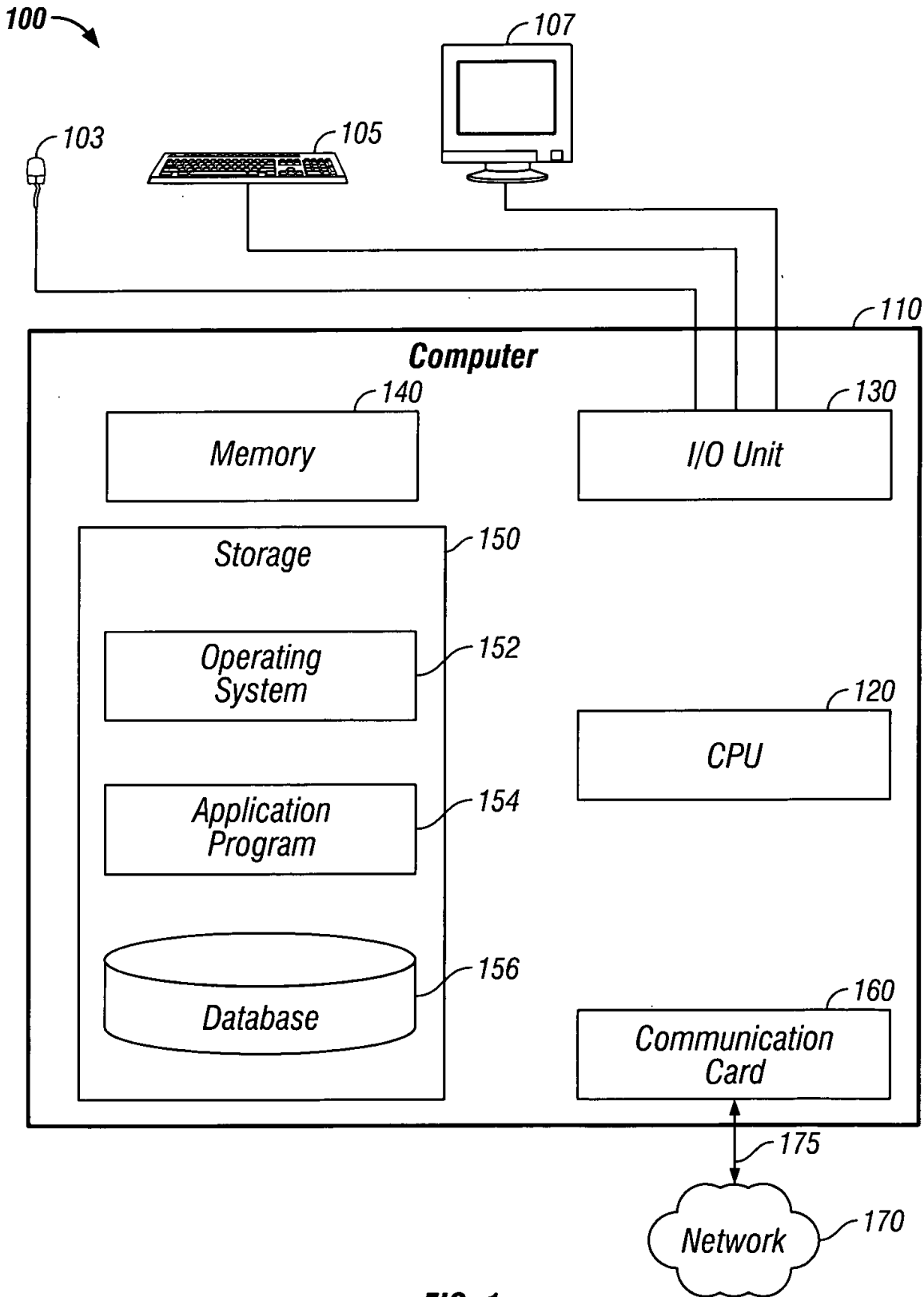


FIG. 1



2/4

200 →

<i>Upper Data Field</i>		<i>Lower Data Field</i>		<i>Status</i>		<i>Parity</i>	
31	16	15	6	5	3	2	0
240		230		220		210	

FIG. 2

300 →

<i>Data_Word_Range</i>	31:0
<i>Upper_Data_Range</i>	31:16
<i>Lower_Data_Range</i>	15:6
<i>Status_Range</i>	5:3
<i>Parity_Range</i>	2:0
<i>Data_Word_Width</i>	32
<i>Upper_Data_Width</i>	16
<i>Lower_Data_Width</i>	10
<i>Status_Width</i>	3
<i>Parity_Width</i>	3

FIG. 3



400 →

```
reg [DATA_WORD_WIDTH-1:0] data_word;  
reg [UPPER_DATA_WIDTH-1:0] upper_data_field;  
reg [LOWER_DATA_WIDTH-1:0] lower_data_field;  
reg [STATUS_WIDTH-1:0] status;  
reg [PARITY_WIDTH-1:0] parity  
upper_data_field[UPPER_DATA_WIDTH-1:0] = data_word[UPPER_DATA_RANGE];  
lower_data_field[LOWER_DATA_WIDTH-1:0] = data_word[LOWER_DATA_RANGE];  
status[STATUS_WIDTH-1:0] = data_word[STATUS_RANGE];  
parity[PARITY_WIDTH-1:0] = data_word[PARITY_RANGE];
```

FIG. 4A

450 →

```
reg [31:0] data_word;  
reg [15:0] upper_data_field;  
reg [9:0] lower_data_field;  
reg [2:0] status;  
reg [2:0] parity;  
upper_data_field[15:0] = data_word[31:16];  
lower_data_field[9:0] = data_word[15:6];  
status[2:0] = data_word[5:2];  
parity[2:0] = data_word[2:0];
```

FIG. 4B



4/4

500

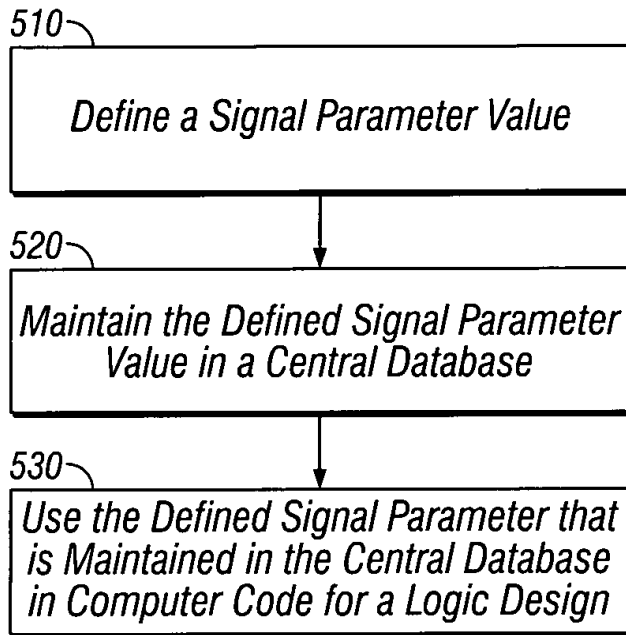


FIG. 5